

PLEASE CHECK WWW.MOLEX.COM FOR LATEST PART INFORMATION

Part Number: [0358972010](#)
Status: **Active**
Description: 1.02/2.28mm (.040/.090") Tab, Hybrid Wire-to-Wire Housing, Male, 20 Circuits

Documents:

[3D Model](#) [Product Specification PS-35896-2090 \(PDF\)](#)
[Drawing \(PDF\)](#) [RoHS Certificate of Compliance \(PDF\)](#)

General

Product Family Crimp Housings
 Series [35897](#)
 Product Name N/A

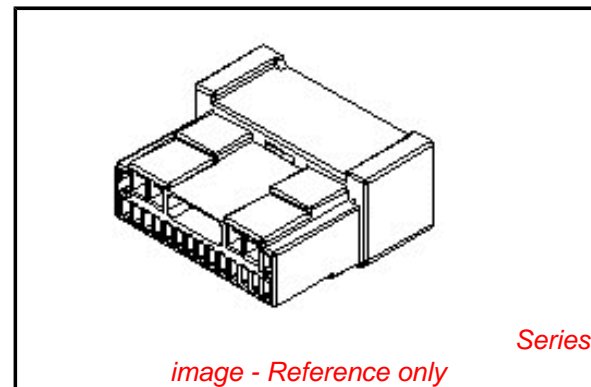
Physical

Circuits (maximum) 20
 Color - Resin Natural, Yellow
 Gender Male
 Glow-Wire Compliant No
 Material - Resin Polyester
 Number of Rows 2
 Packaging Type Bag
 Panel Mount Yes
 Pitch - Mating Interface (in) 0.098 In
 Pitch - Mating Interface (mm) 2.50 mm
 Stackable No
 Temperature Range - Operating -40°C to +80°C

Material Info

Reference - Drawing Numbers

Product Specification PS-35896-2090
 Sales Drawing SD-35897-008



EU RoHS

**ELV and RoHS
Compliant**
REACH SVHC
 Not Reviewed
**Halogen-Free
Status**

China RoHS



**Need more information on product
environmental compliance?**

Email productcompliance@molex.com
 For a multiple part number RoHS Certificate of
 Compliance, [click here](#)

Please visit the [Contact Us](#) section for any
 non-product compliance questions.

Search Parts in this Series

[35897Series](#)

Mates With

[35896](#)

Use With

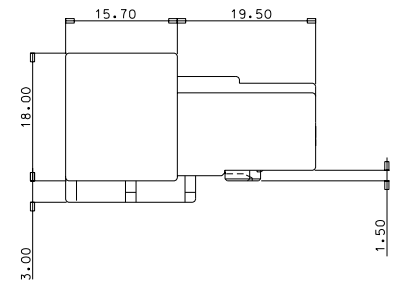
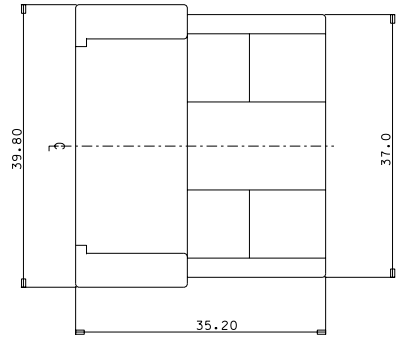
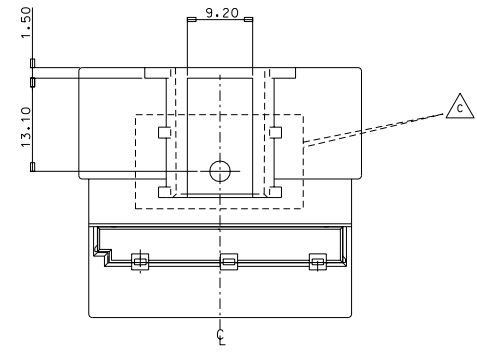
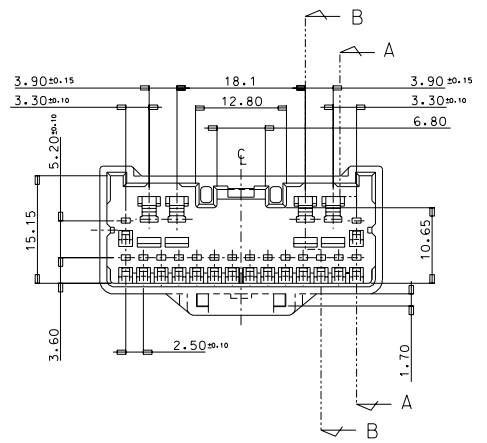
[50654](#) , [50660](#)

DO NOT SCALE DRAWING
DIMENSION IN METRIC

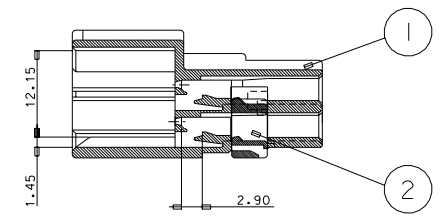
PROJECT NO. SD-35897-008

SIMILAR ITEM

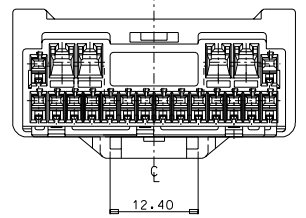
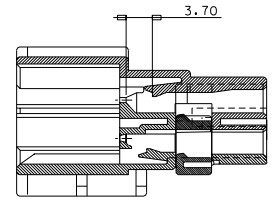
1	35897-2095	.040/090 M/HSG 20P	POLYESTER	WHITE
2	35897-2083	.040/090 MALE TPA 20P	POLYESTER	YELLOW



SECTION A-A



SECTION B-B



- 1. MATERIAL & FINISH: SEE TABLE
- 2. APPLICATION: .040/090 FEMALE HOUSING ASS'Y 22P(ENG. NO.:35896-2010)

RELEASE TO MANUFACTURING EC NO.: KOP2003-0086 DRWN: H.C.RHO 02/09/20 CHK: H.C.RHO 02/10/17 APPR: C.W.LEE 02/10/18	QUALITY SYMBOLS MAJOR CRITICAL	GENERAL TOLERANCES: (UNLESS SPECIFIED)		SCALE 2:1	DESIGN UNITS <input checked="" type="checkbox"/> mm <input type="checkbox"/> INCH	THIRD ANGLE PROJECTION <input checked="" type="checkbox"/> THIRD ANGLE <input type="checkbox"/> FIRST ANGLE		TITLE: .040/090 MALE HOUSING ASS'Y 20P	
		4 PLACES ±0.15 3 PLACES ±0.2 2 PLACES ±0.3 1 PLACE ±0.3	mm INCH ± ± ± ± ± ± ± ±	DRAWN BY & DATE 00/09/30 H.C.RHO CHECKED BY & DATE 00/09/30 B.K.CHOI APPROVED BY & DATE 00/09/30 C.W.LEE	CAD FILENAME 49MHA20		MATERIAL NO. SEE CHART		DRAWING NO. SD-35897-008
C	REV	DRAFT WHERE APPLICABLE MUST REMAIN WITHIN DIMENSIONS		THIS DRAWING CONTAINS INFORMATION THAT IS PROPRIETARY TO MOLEX INCORPORATED AND SHOULD NOT BE USED WITHOUT WRITTEN PERMISSION.				SIZE C	